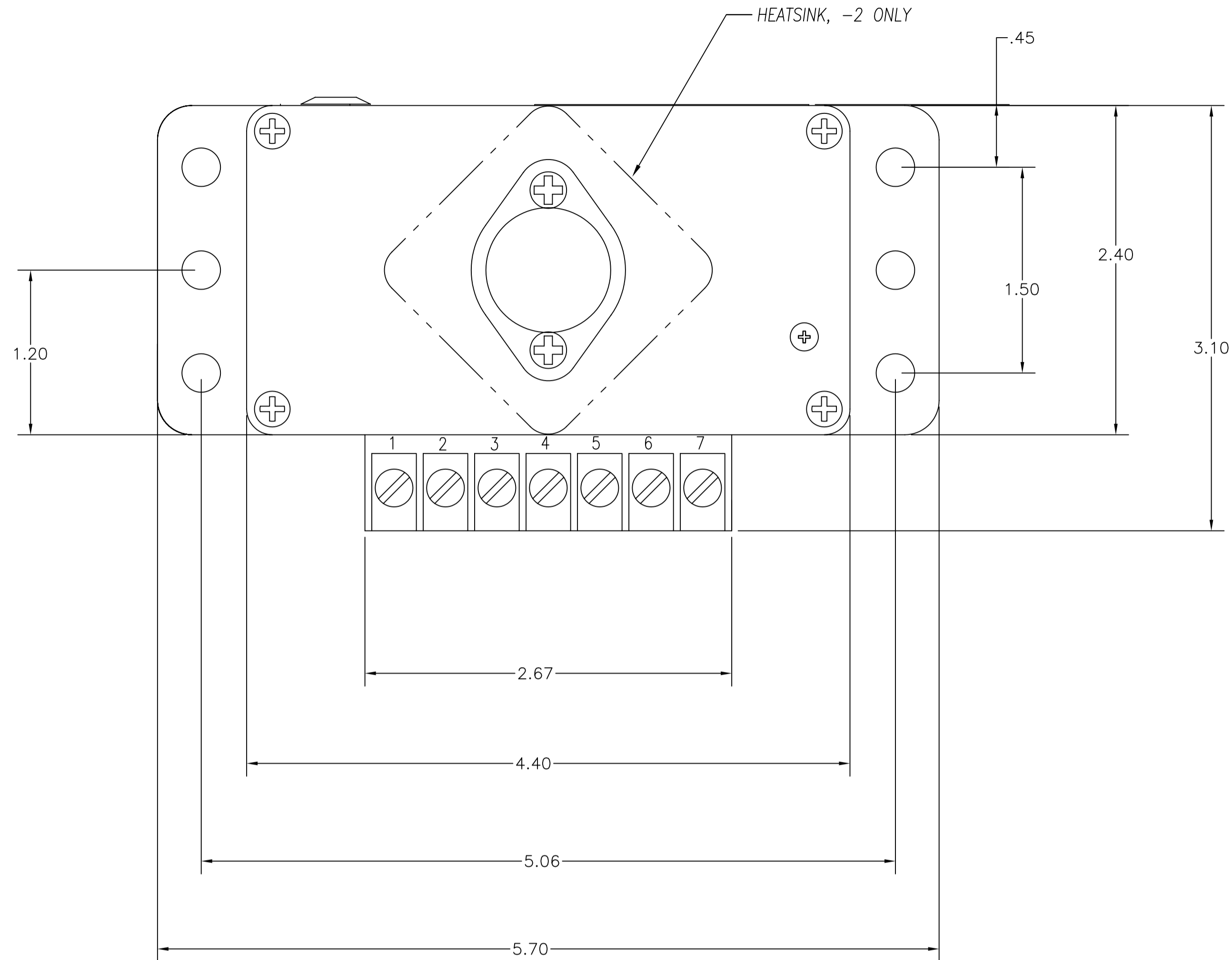
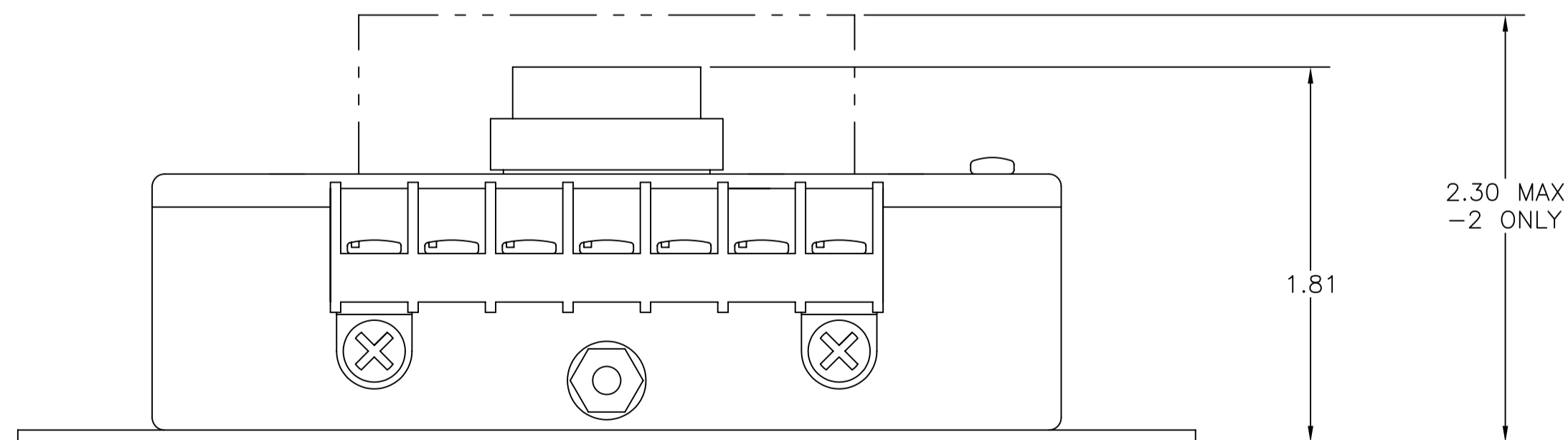


SYMBOL	REVISION	DRAWN	APPRVD
A	CORRECTED BASE PLATE HOLE PATTERN	TH	5/19/05



TERMINAL FUNCTIONS:

1. TEMPERATURE PROBE YELLOW WIRE (OPTIONAL)
2. OVER-VOLTAGE TEST
3. BUS VOLTAGE SENSE
4. FIELD
5. LOW VOLTAGE WARNING LIGHT
6. BUS SUPPLY (ALSO TEMPERATURE PROBE WHITE WIRE (OPTIONAL))
7. GROUND



1		201-100-03	FINAL ASS'Y, LINEAR CONTROLLER, 14V STANDBY ALT.	
	1	201-100-02	FINAL ASS'Y, LINEAR CONTROLLER, 28V PRIMARY ALT.	
		1	201-100-01	FINAL ASS'Y, LINEAR CONTROLLER, 14V PRIMARY ALT.
-3	-2	-1	PART NO.	DESCRIPTION
UNLESS OTHERWISE SPECIFIED			B & C Specialty Products P.O. Box B, Newton, Kansas 67114	
DIMENSIONS ARE IN INCHES TOLERANCES ARE: DECIMAL 0.XX = ± 0.03 DECIMAL 0.XXX = ± 0.005 ANGLES = ± 0.5 DEGREES			TITLE ENVELOPE DRAWING CONTROLLER, LINEAR	
	NAME	DATE		
ENGINEER	TH	9/12/97		
DRAWN	TH	9/12/97	DRAWING NO. BC201	REVISION A
CHECKED				DATE 5/19/05
PROJECT			SCALE NONE	JOB NO. PAGE 1 OF 1