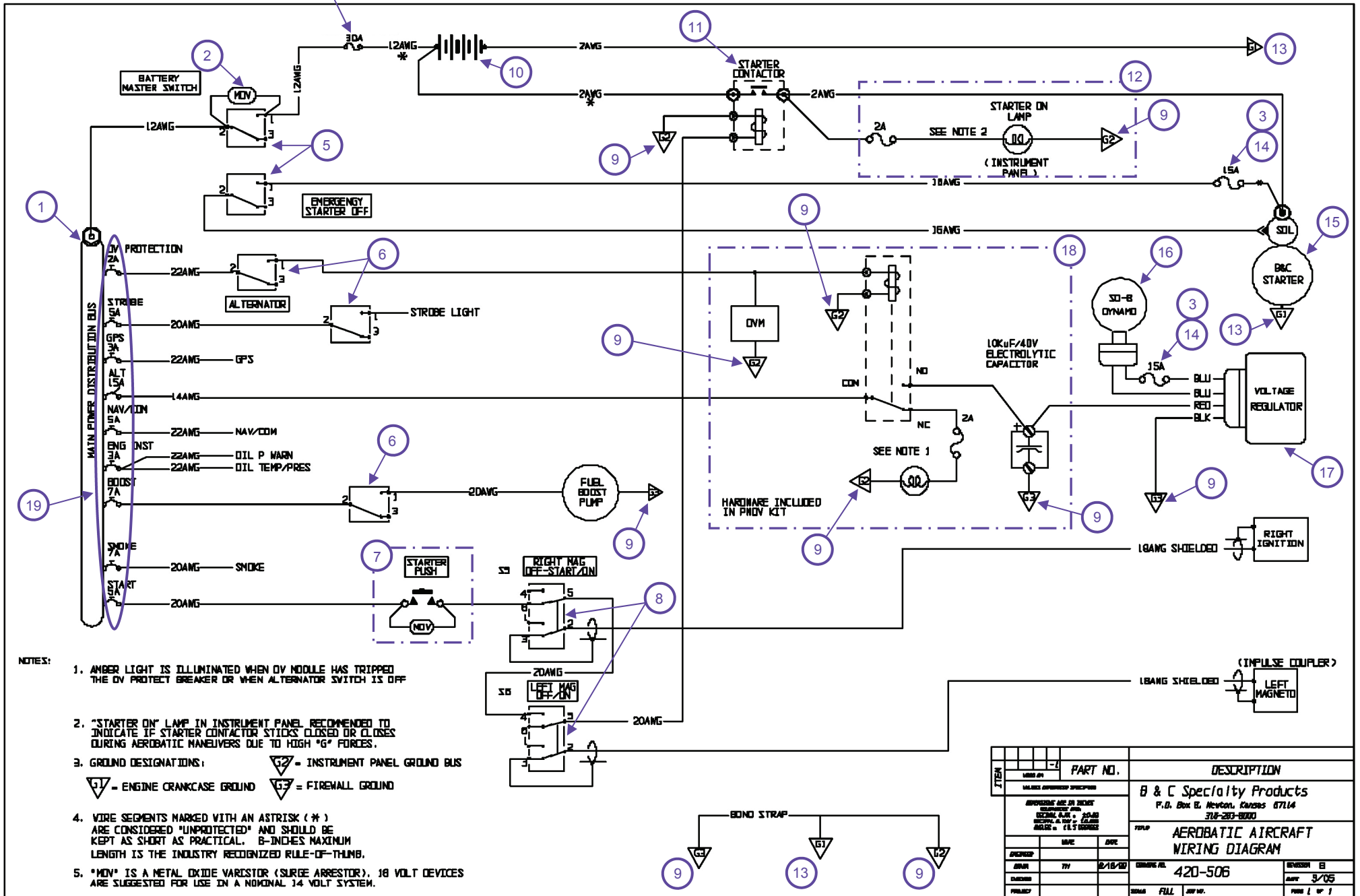


WIRING DIAGRAM FOR AEROBATIC AIRCRAFT w/o MASTER SOLENOID, w/ B&C STARTER



- NOTES:
1. AMBER LIGHT IS ILLUMINATED WHEN O/V NOODLE HAS TRIPPED THE O/V PROTECT BREAKER OR WHEN ALTERNATOR SWITCH IS OFF
 2. "STARTER ON" LAMP IN INSTRUMENT PANEL RECOMMENDED TO INDICATE IF STARTER CONTACTOR STICKS CLOSED OR CLOSING DURING AEROBATIC MANEUVERS DUE TO HIGH "G" FORCES.
 3. GROUND DESIGNATIONS: ∇_{G2} = INSTRUMENT PANEL GROUND BUS
 ∇_{G1} = ENGINE CRANKCASE GROUND ∇_{G3} = FIREWALL GROUND
 4. WIRE SEGMENTS MARKED WITH AN ASTRISK (*) ARE CONSIDERED "UNPROTECTED" AND SHOULD BE KEPT AS SHORT AS PRACTICAL. 8-INCHES MAXIMUM LENGTH IS THE INDUSTRY RECOGNIZED RULE-OF-THUMB.
 5. "NOV" IS A METAL OXIDE VARISTOR (SURGE ARRESTOR). 18 VOLT DEVICES ARE SUGGESTED FOR USE IN A NOMINAL 14 VOLT SYSTEM.

| ITEM | QTY | PART NO. | DESCRIPTION |
|---|---------|----------------------------------|-------------|
| | | | |
| MATERIALS REQUIRED SPECIFICATIONS | | B & C Specialty Products | |
| APPROVED AND ON BEHALF OF B&C SPECIALTY PRODUCTS | | P.O. Box 8, Newton, Kansas 67114 | |
| REVISION A, B, C, D, E, F, G, H, I, J, K, L, M, N, O, P, Q, R, S, T, U, V, W, X, Y, Z | | 316-283-8000 | |
| DATE | | TYPE | |
| AEROBATIC AIRCRAFT | | WIRING DIAGRAM | |
| DESIGNED | DATE | CHANGE NO. | REVISION |
| BY | 7/18/80 | 420-506 | B |
| CHECKED | | | DATE |
| DATE | | | 3/05 |
| PROJECT | | 3000 | FULL |
| | | | REV. 1 OF 1 |

Bill of Materials

Aerobatic Aircraft Electrical System

| <u>REF</u> | <u>NOTES</u> | <u>PART NUMBER</u> | <u>QTY</u> | <u>DESCRIPTION</u> |
|------------|--------------|--------------------|------------|---|
| 1 | | BUSBAR | 1 | Bus Bar Stock, Brass, .025"x.50"x12 |
| 2 | | ERZ-C05DK180 | 1 | MOV |
| 3 | | IFH-2 | 3 | In-Line Fuse Holder |
| 4 | | ATC-20 | 1 | ATC Fuse, 20 Amp |
| 5 | | MS35058-22 | 2 | Switch, Toggle, Single Pole, OFF-ON |
| 6 | | S700-1-3 | 3 | Switch, Toggle, Single Pole, ON-ON |
| 7 | | 501-200-1 | 1 | Assembly, Starter Push Button (with MOV) |
| 8 | | S700-2-5 | 2 | Switch, Toggle, Double Pole, (ON)-OFF-ON |
| 9 | * | GB24 | 1 | Grounding Block, 24-position |
| 10 | | BC116-1 | 1 | Battery, 16 AH |
| 11 | | S702-1 | 1 | Contactor, Intermittent Duty (Starter) |
| 12 | | 501-4 | 1 | Starter-On Light Kit |
| 13 | | BBS xx-xx-xx | 2 | Braided Bonding Strap (built to order) |
| 14 | | ATC-15 | 2 | ATC Fuse, 15 Amp |
| 15 | | BCS206-xxx-12 | 1 | Starter, 12v, 122 or 149 Tooth Ring per xxx |
| 16 | ** | SD-8 | 1 | Alternator, Spline-Driven, 8 Amp |
| 17 | ** | PMR1C-14 | 1 | Regulator, Permanent Magnet, 14v |
| 18 | | 504-1 | 1 | PM/OV Filter and OV Protection Kit, 14v |
| 19 | | CB-xx | arr. | Circuit Breaker (Amp rating per xx) |

NOTES

* A single GB-24 may be used for items marked "Instrument Panel Ground" and "Firewall Ground" in the wiring diagram.

** The SD-8 Alternator and PMR1C-14 Regulator are sold as a package.