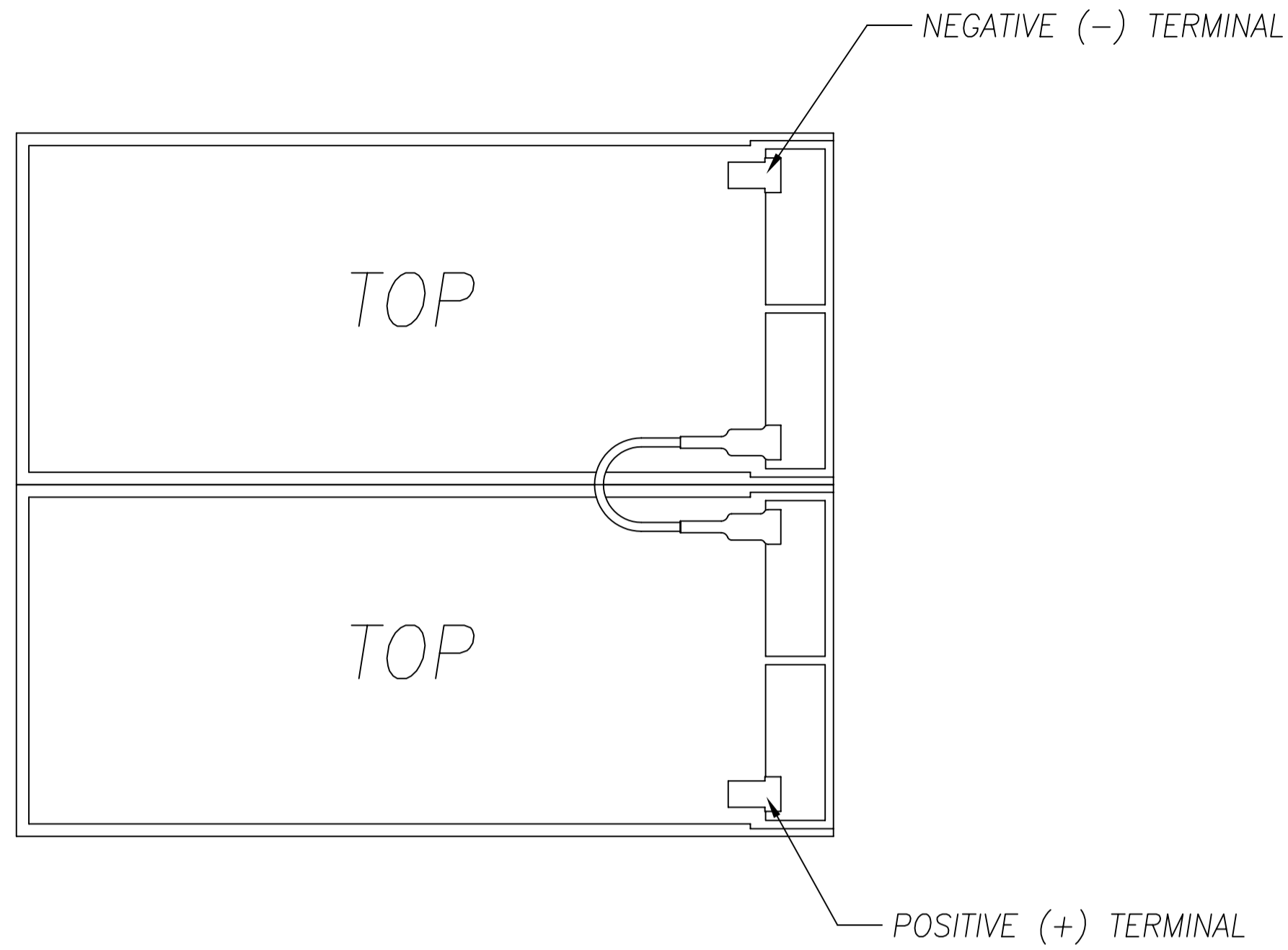


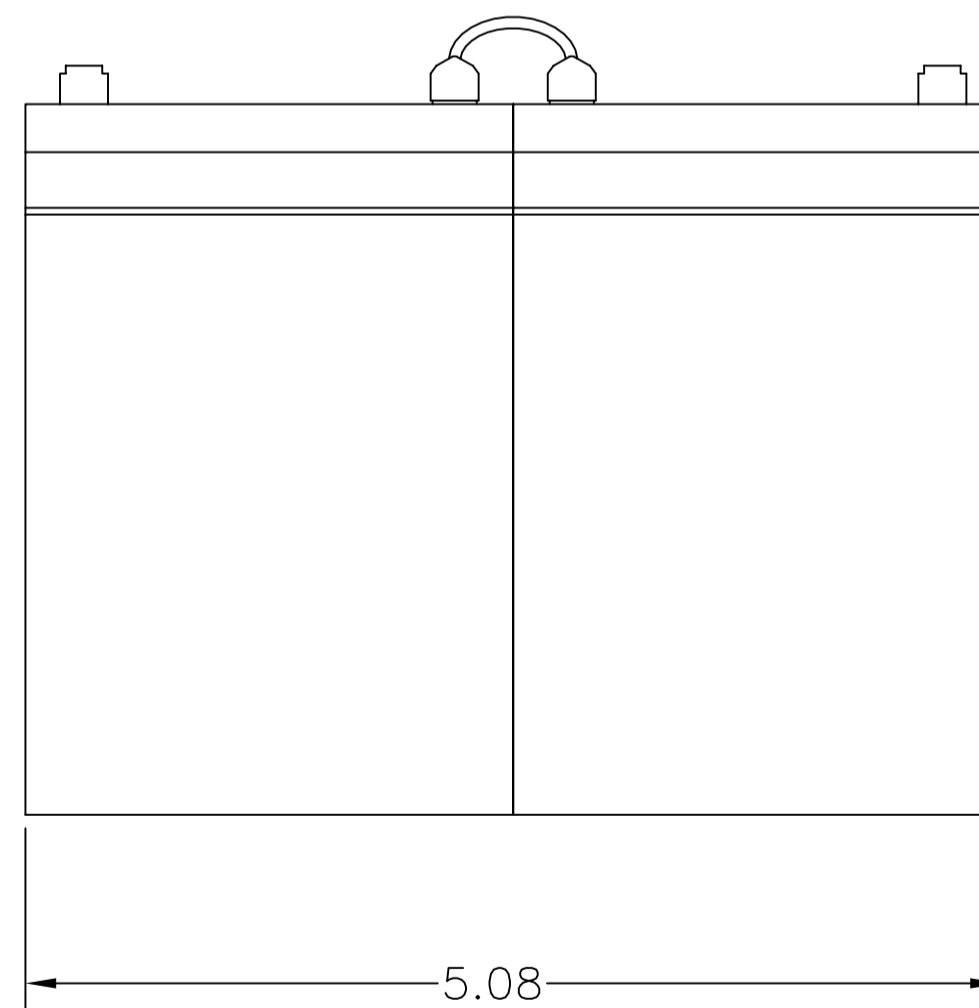
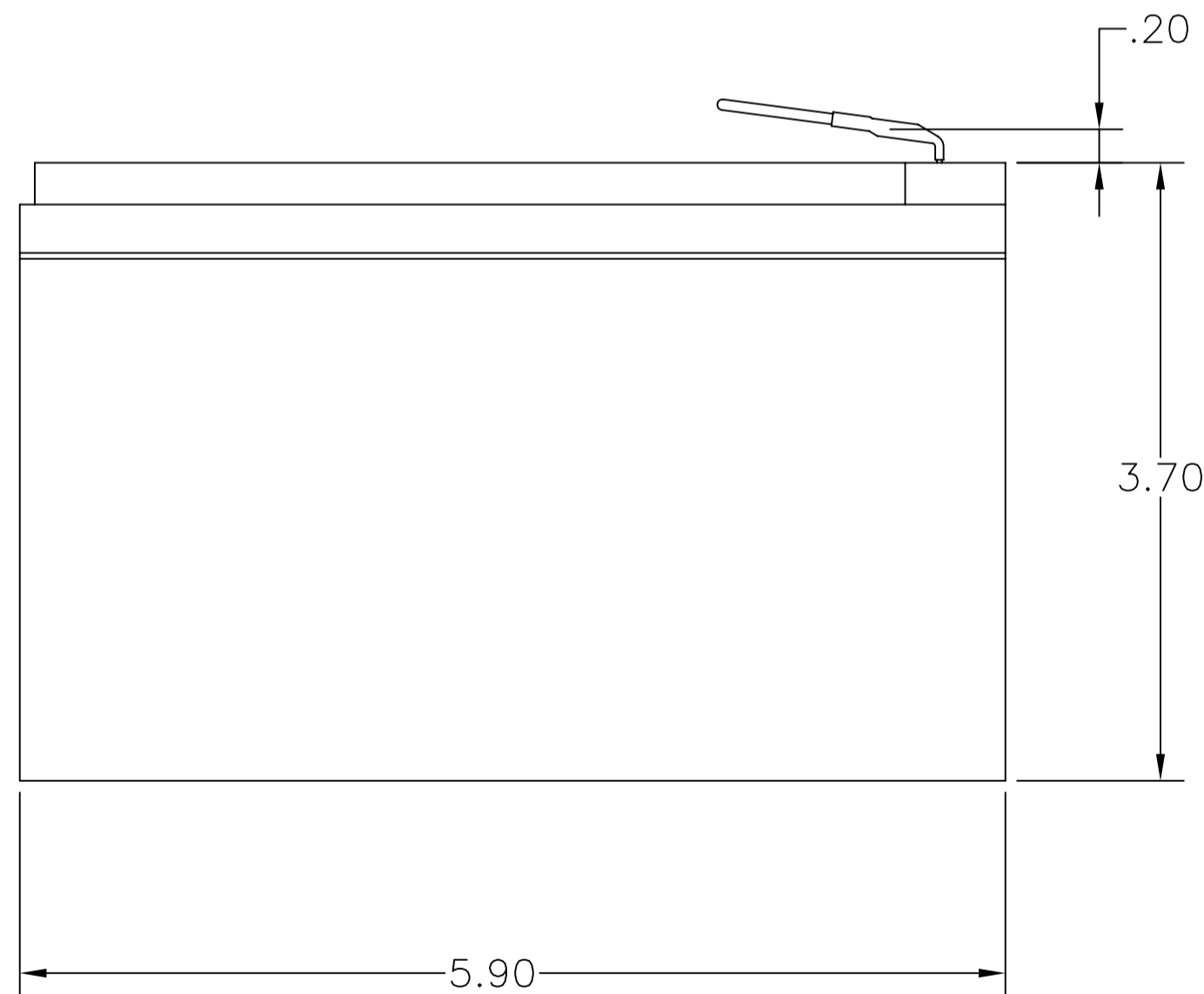
SYMBOL	REVISION	DRAWN	APPRVD



NOTES:

1. TECHNOLOGY: RG (RECOMBINANT GAS), SEALED LEAD ACID, IMMOBILIZED ELECTROLYTE. CONTAINS NO FREE LIQUID.
2. CAPACITY: 7.2 AMPERE-HOURS
3. WEIGHT: 10.0 POUNDS
4. OPERATING POSITION: ANY
MOUNTING POSITION: ALL EXCEPT TOP DOWN
5. TEMPERATURE - OPERATING AND STORAGE: 5°F TO 110°F.
USE IN THE ENGINE COMPARTMENT REQUIRES PROVISIONS FOR COOLING.
6. ALTITUDE: -1000 TO 30,000 FEET
7. TERMINALS: USE "FAST ON" OR "SPADE" TERMINALS FOR 3/16 WIDE MALE BLADES.
8. RECOMMENDED CHARGING VOLTAGES:
FLOAT VOLTAGE FOR STORAGE: 26.4 @ 40°C;
27.6 @ 20°C; 28.8 @ 0°C; 30.0 @ -20°C.

CHARGING VOLTAGE FOR OPERATIONS: 28.4 TO 29.2 VOLTS
9. CHARGING CURRENT LIMIT: 3.0 AMPS
10. WARNING: CONTAINS HAZARDOUS MATERIALS (LEAD AND SULFURIC ACID). CASE IS SEALED AND SHOULD NOT BE OPENED. FAULT CURRENTS OF UP TO 250 AMPS MAY BE EXPECTED IF BATTERY IS INADVERTENTLY SHORTED. ALL BATTERY HANDLING PRACTICES SHOULD BE OBSERVED.
11. APPROVED DISPOSAL: HANDLE PER LOCAL REGULATIONS AS ANY OTHER LEAD-ACID, VEHICULAR BATTERY.
12. CAUTION: OBSERVE POLARITY WHEN INSTALLING. REVERSAL OF LEADS WILL DAMAGE OTHER DEVICES IN THE AIRCRAFT.
13. REPLACE BATTERY EVERY TWO YEARS.



ITEM	USED ON	PART NO.	DESCRIPTION
		-1	
UNLESS OTHERWISE SPECIFIED			B & C Specialty Products P.O. Box B, Newton, Kansas 67114
DIMENSIONS ARE IN INCHES TOLERANCES ARE: DECIMAL 0.XX = ± 0.03 DECIMAL 0.XXX = ± 0.005 ANGLES = ± 0.5 DEGREES			TITLE 7.2 AH, 24 VOLT BATTERY
	NAME	DATE	
ENGINEER			
DRAWN	TH	8/8/99	DRAWING NO. BC102-2
CHECKED			REVISION
PROJECT			DATE
	SCALE FULL	JOB NO.	PAGE 1 OF 1