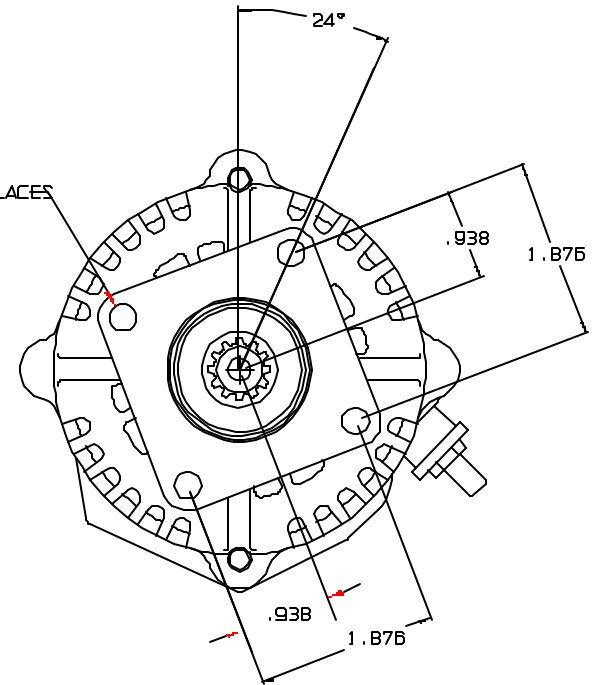
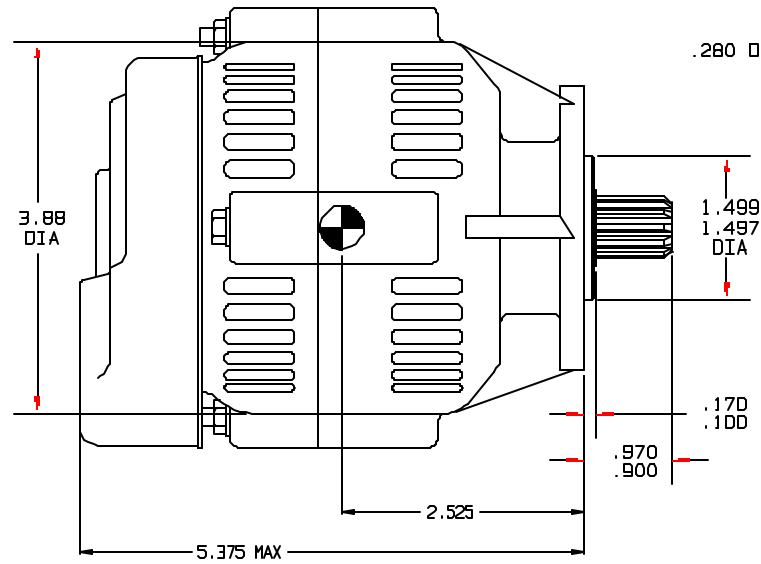
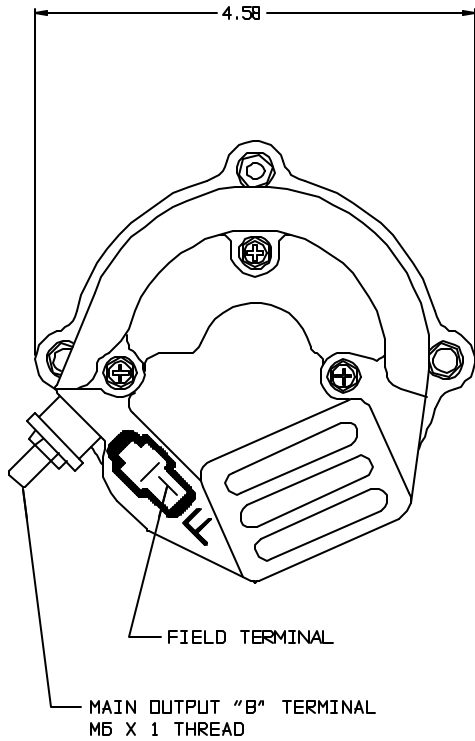


REV	DATE	DESCRIPTION



- NOTE: 1. ALL DIMENSIONS FOR REFERENCE ONLY  
2. RECOMMENDED INTERVAL BETWEEN OVERHAUL IS 1700 HRS.

-1 ALTERNATOR 14/28V, 20 AMP

WEIGHT: 5.72 LBS.  
MAX STATOR TEMP: 300°F  
FOR USE ON AND20000 ACCESSORY PAD.  
ALL DIMENSIONS ARE REFERENCE ONLY

		1	425-100-1	ALTERNATOR ASSY, 14/28V, 20A
			-1	ALTERNATOR, 14/28V, 20A
		-1	PART NO.	DESCRIPTION
USED ON			B & C Specialty Products P.O. Box 8, Newton, Kansas 67114	
UNLESS OTHERWISE SPECIFIED			TITLE ENVELOPE DRAWING AIRCRAFT ALTERNATOR, 14/28 VOLT, 20 AMP	
DIMENSIONS ARE IN INCHES TOLERANCES ARE: DECIMAL D.XX = ± 0.03 DECIMAL D.XXX = ± 0.010 ANGLES = ± 0.5 DEGREES			DRAWING NO. BC425	
ENGINEER	TH	DATE	REVISION	DATE
DRAWN	TH	10/13/08		
CHECKED	TH	10/13/08		
PROJECT			SCALE	JOB NO.
				SHEET 1 OF 1