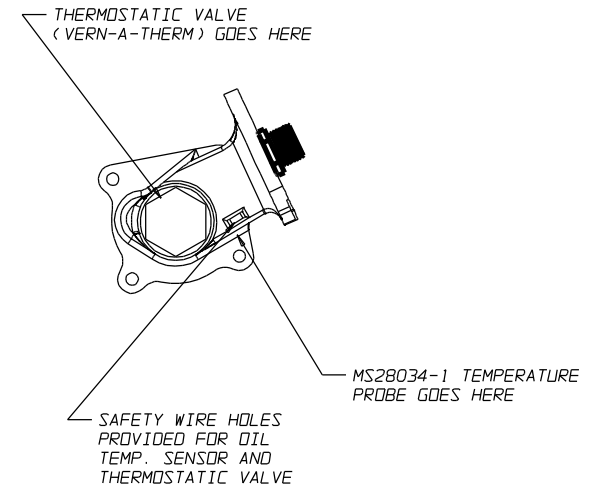
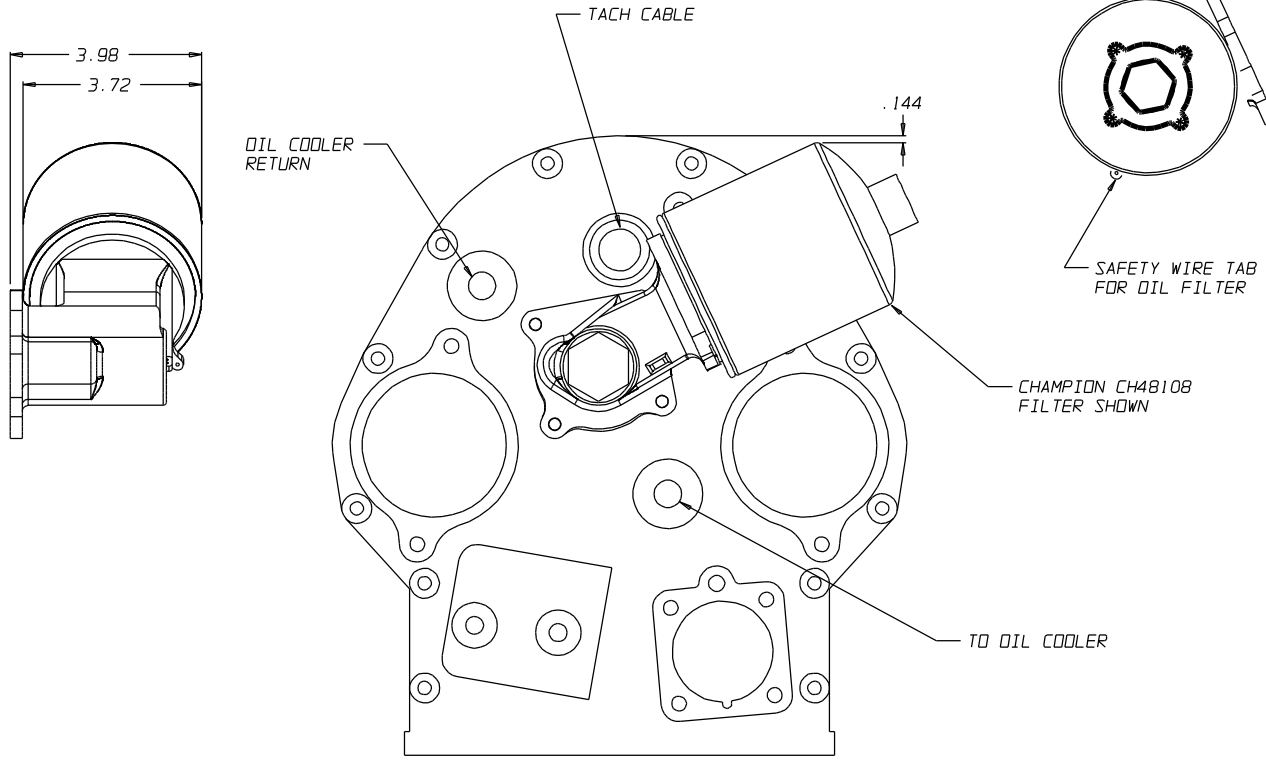


90° OIL FILTER ADAPTER FOR LYCOMING ENGINES

SYMBOL	REVISION	DRAWN	APPRVD

ELIGIBLE LYCOMING ENGINE SERIES:

O-235	HO-360	HIO-540
O-290	IO-360	AEIO-540
O-320	HIO-360	IO-720
IO-320	AIO-360	TIO-360
AIO-320	LIO-360	O-435
AEIO-320	AEIO-360	GO-435
LIO-320	O-540	TIO-540
O-360	IO-540	LTIO-540



- * WEIGHT: 1.10 LBS FOR ADAPTOR ONLY.
- * USES CHAMPION FILTERS CH48108 OR CH48109.
- * KIT INCLUDES OIL FILTER ADAPTOR, NEW FILTER, GASKET, NEW WASHERS FOR OIL TEMP SENSOR AND THERMOSTATIC VALVE, AND NEW MOUNTING HARDWARE.
- * 3-D MACHINED FROM A SOLID BILLOT OF ALUMINUM FOR STRENGTH, ALSO THERE IS NO POROSITY AS IN A CASTING

ITEM	WEIGHT
LYCOMING OIL SCREEN HOUSING w/ SCREEN	.74 LBS
LYCOMING OIL FILTER ADAPTER	.87 LBS
B&C BC702 90° OFA	1.10 LBS
VERN-A-THERM	.29 LBS
FILTER CH48108	1.29 LBS
FILTER CH48109	1.47 LBS
.75" SPACER	.25 LBS
1.4" SPACER	.49 LBS
2.5" SPACER	1.18 LBS

ITEM	QUANTITY	PART NO.	DESCRIPTION
1		700-100-4	TOP ASS'Y, OIL FILTER ADAPTER W/ 2.5" SPACER
	1	700-100-3	TOP ASS'Y, OIL FILTER ADAPTER W/ 1.4" SPACER
	1	700-100-2	TOP ASS'Y, OIL FILTER ADAPTER W/ .75" SPACER
	1	700-100-1	TOP ASS'Y, OIL FILTER ADAPTER W/ NO SPACER
UNLESS OTHERWISE SPECIFIED			B & C Specialty Products P.O. Box B, Newton, Kansas 67114
DIMENSIONS ARE IN INCHES TOLERANCES ARE: DECIMAL 0.XX = ±0.03 DECIMAL 0.XXX = ±0.005 ANGLES = ±0.5 DEGREES			
TITLE			BC702 OFA OUTLINE
ENGINEER	TH	DATE	1/21/99
DRAWN	TH	DATE	1/21/99
CHECKED			
PROJECT			
DRAWING NO.			BC702
SCALE			FULL
JOB NO.			
REVISION			DATE
PAGE 1 OF 1			