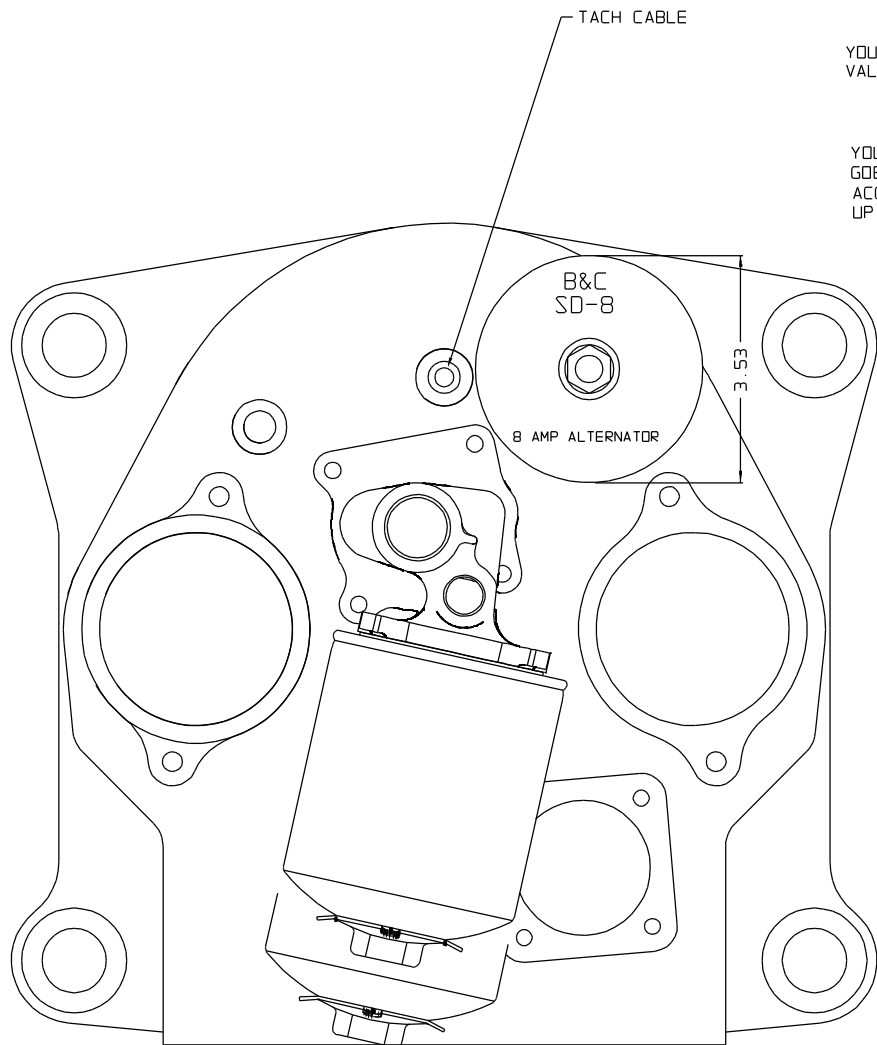


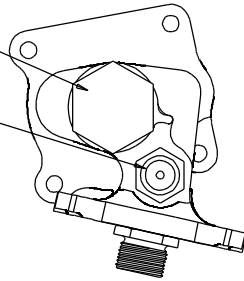
# 90° OIL FILTER ADAPTER FOR LYCOMING ENGINES

SYMBOL	REVISION	DRAWN	APPROV
		TH	



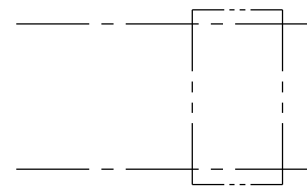
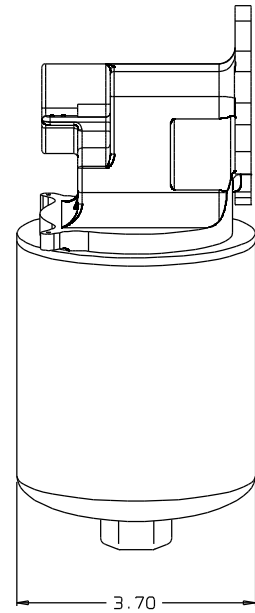
YOUR THERMOSTATIC VALVE GOES HERE.

YOUR OIL TEMP SENSOR GOES HERE. HOLE WILL ACCOMMODATE SENSORS UP TO 1.2" LONG.

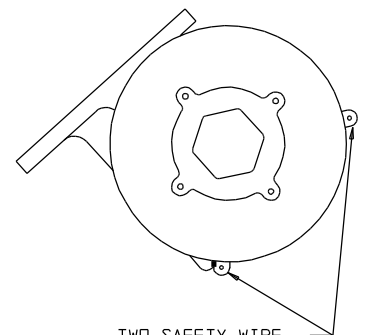


ELIGIBLE LYCOMING ENGINE SERIES:

O-235	HO-360	HIO-540
O-290	IO-360	AEIO-540
O-320	HIO-360	IO-720
IO-320	AIO-360	TIO-360
AIO-320	LIO-360	O-435
AEIO-320	AEIO-360	GO-435
LIO-320	O-540	TIO-540
O-360	IO-540	LTIO-540



.75", 1.4" AND 2.5" SPACER BLOCKS AVAILABLE TO SPACE OFA AWAY FROM ACCESSORY CASE TO CLEAR ENGINE MOUNTS OR FUEL PUMP



TWO SAFETY WIRE TABS ARE PROVIDED FOR OIL FILTER

- \* WEIGHT: .90 LBS FOR ADAPTOR ONLY.
- \* USES CHAMPION FILTERS CH48108 OR CH48109.
- \* KIT INCLUDES OIL FILTER ADAPTOR, NEW FILTER, GASKET, NEW WASHERS FOR OIL TEMP SENSOR AND THERMOSTATIC VALVE, AND MOUNTING HARDWARE
- \* 3-D MACHINED FROM A SOLID BILLOT OF ALUMINUM FOR STRENGTH, ALSO THERE IS NO POROSITY AS IN A CASTING

ITEM	WEIGHT
LYCOMING OIL SCREEN HOUSING w/ SCREEN	.74 LBS
LYCOMING OIL FILTER ADAPTER	.87 LBS
B&C 90° OFA VERN-A-THERM FILTER CH48108	.29 LBS
FILTER CH48108	1.29 LBS
FILTER CH48019	1.47 LBS
.75" SPACER	.25 LBS
1.4" SPACER	.49 LBS
2.5" SPACER CH48108 W/OIL	1.18 LBS
	2.22 LBS

ITEM	USED ON	PART NO.	DESCRIPTION
			B & C Specialty Products P.O. Box B, Newton, Kansas 67114
<small>DIMENSIONS ARE IN INCHES TOLERANCES ARE: DECIMAL 0.XXX = ± 0.03 DECIMAL 0.XXX = ± 0.003 ANGLES = ± 0.5 DEGREES</small>			TITLE OIL FILTER ADAPTER FOR LYCOMING ENGINES
ENGINEER	TH	DATE 4/3/02	DRAWING NO. BC708
DRAWN	TH	DATE 4/3/02	REVISION
CHECKED			DATE
PROJECT		SCALE	PAGE 1 OF 1