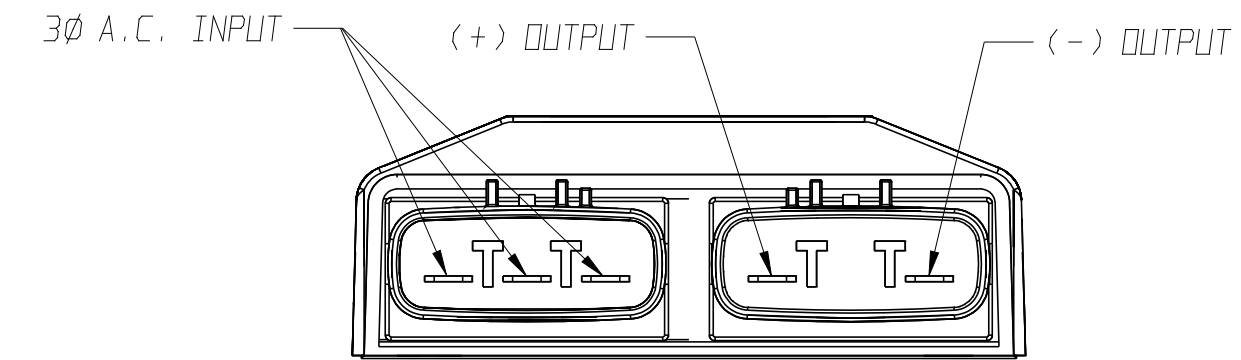
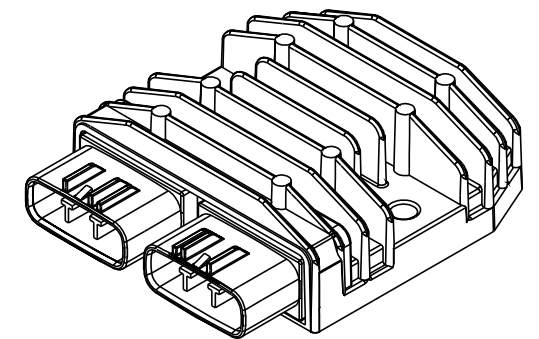
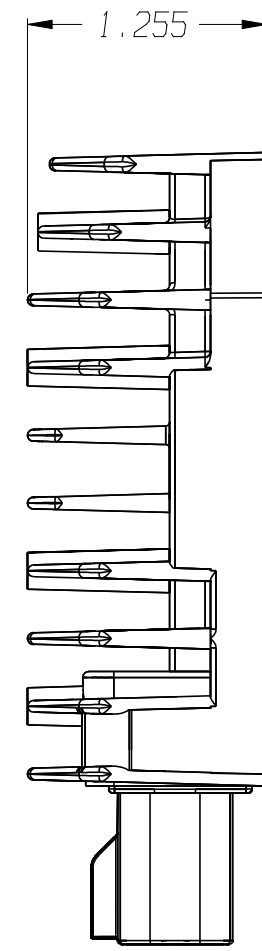
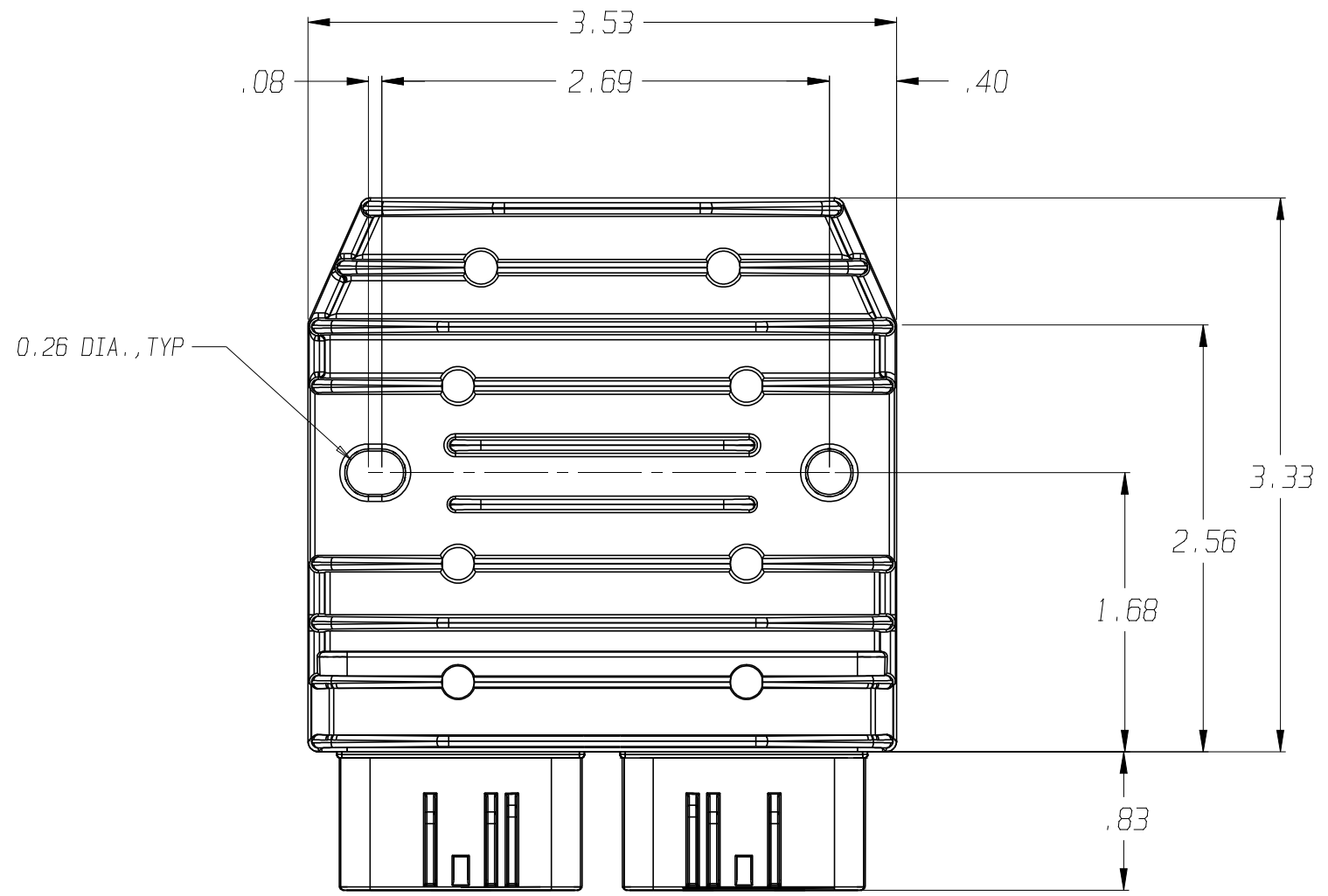


SYMBOL	REVISION	DRAWN	APPRVD



NOTES:

1. REGULATOR WEIGHT: 0.73 LBS.
2. MAXIMUM THROUGHPUT: 35 AMPS
3. OVER TEMPERATURE PROTECTED. MAXIMUM HEATSINK TEMPERATURE: 221°F
4. RECOMMENDED COOLING AIR FLOW: 7 FT/SEC.
5. FURNISHED WITH MATING CONNECTORS AND CRIMP-TYPE TERMINALS

ITEM	-1			
	USED ON			
	UNLESS OTHERWISE SPECIFIED			
	DIMENSIONS ARE IN INCHES TOLERANCES ARE: DECIMAL 0.XX = ±0.03 DECIMAL 0.XXX = ±0.005 ANGLES = ±0.5 DEGREES			
	NAME	DATE		
ENGINEER	TH	10/26/07		
DRAWN	TH	10/26/07		
CHECKED				
PROJECT				
			B & C Specialty Products P.O. Box B, Newton, Kansas 67114	
			TITLE REGULATOR, 3 PHASE PERMANENT MAGNET PMR3A	
			DRAWING NO. BC220SS	REVISION DATE
			SCALE FULL	JOB NO. PAGE OF