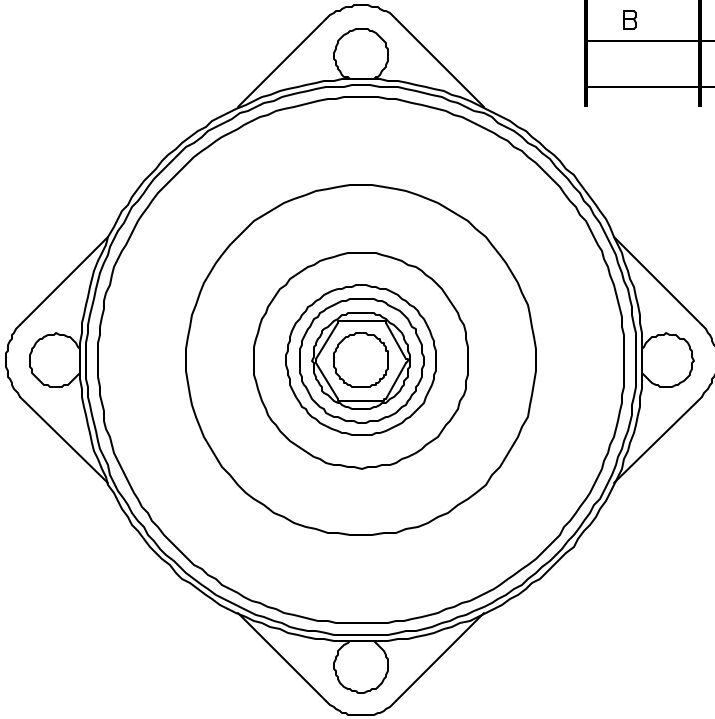
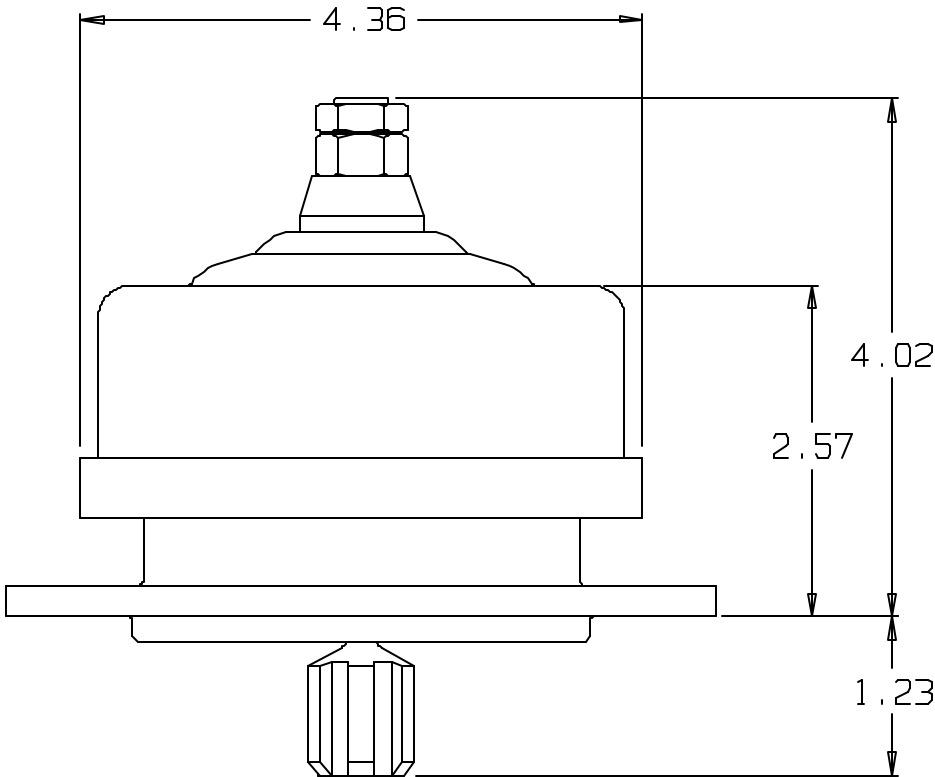


SYMBOL	REVISION	DRAWN
B	ADDED NOTES 1 & 4; ADDED OUTPUT TABLE	TH



ALTERNATOR OUTPUT		
RPM	13V MIN	26V MIN
1500	4.2 A	
2000	7.5	
2500	9.5	2.0
3000	10.5	5.7
3500	11.2	9.1
4000	11.7	12.1
4500	12.0	14.0
5000	12.2	15.5

(65° F)



NOTES :

1. DESIGNED TO INTERFACE WITH M14P ENGINE.
2. WEIGHT OF ALTERNATOR: 3.6 LBS.
WEIGHT OF REGULATOR: 0.5 LBS
3. OUTPUT: 10 AMPS, 14V or 28V.
4. MAXIMUM OPERATING & STORAGE TEMPERATURE 350° F.
5. ALL DIMENSIONS FOR REFERENCE ONLY.

B & C Specialty Products P.O. Box B, Newton, Kansas 67114		
TITLE OUTLINE DRAWING SUKHOI 10A ALTERNATOR		
PART NO. BC422-1	REVISION B DATE 10/6/99	
SCALE	JOB NO.	PAGE 1 OF 1