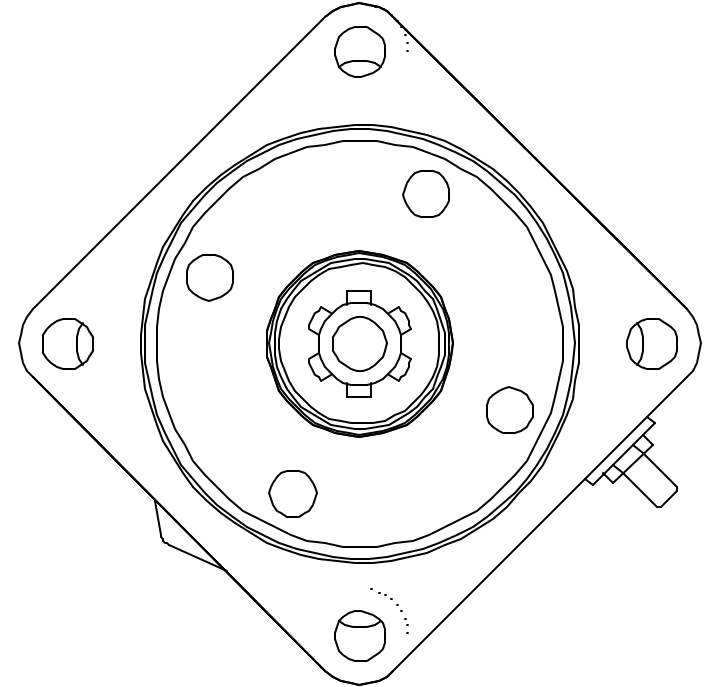
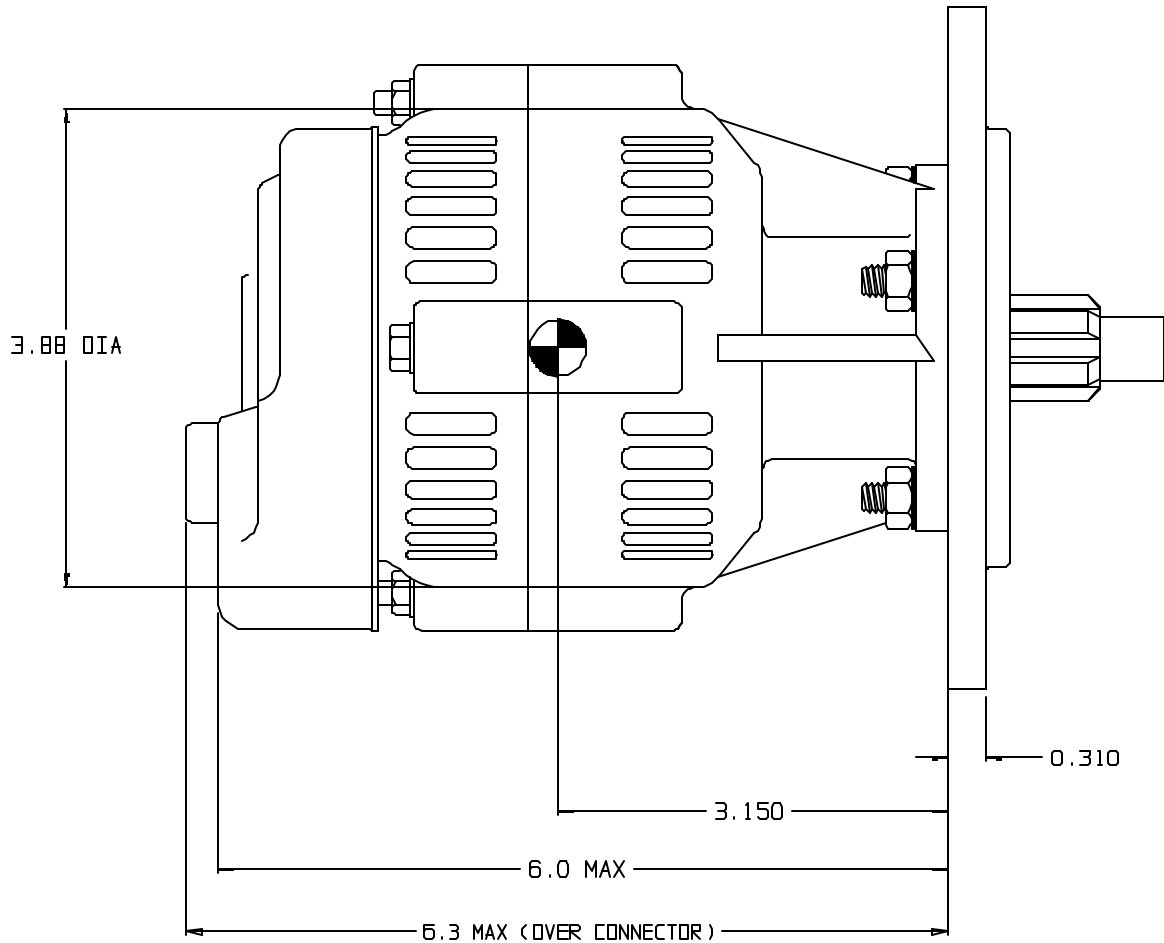


REV	DATE	DESCRIPTION
A	7/9/99	ADDED SPLINE SPACER AND OUTPUT CHART, 35A WAS 40A
B	4/10/00	ADDED FIELD CONN. DIM & NOTES 4, 5 & 6



NOTES

1. ASSEMBLY WEIGHT: 6.5 LBS.
2. OUTPUT: 35 AMPS AT 14V OR 28V
3. MAX STATOR TEMP: 300 °F
4. USE LR3B-14 REGULATOR FOR 14 V OUTPUT
5. USE LS-1 REGULATOR FOR 28 V OUTPUT
6. THESE REGULATOR INCLUDE SOLID STATE OVER-VOLTAGE PROTECTION AND A YELLOW LOW-VOLTAGE LIGHT TO MOUNT IN THE INSTRUMENT PANEL.

ALTERNATOR OUTPUT	
Stator temp: 140 F to 210 F	
RPM	AMPERES
3000	12
3500	20
4000	26
4500	31
5000	33
5500	35
6000	38
7000	41
8000	43
9000	44
10000	45

B & C Specialty Products
P.O. Box B, Newton, Kansas 67114
318-283-8000

TITLE: **OUTLINE DRAWING OF SD20 ALTERNATOR WITH ADAPTOR FLANGE AND SPLINE FOR M14P ENGINE**

DRAWING NO. BC412	REVISION 0
SCALE	DATE 4/10/00
JOB NO.	SHEET 1 OF 1