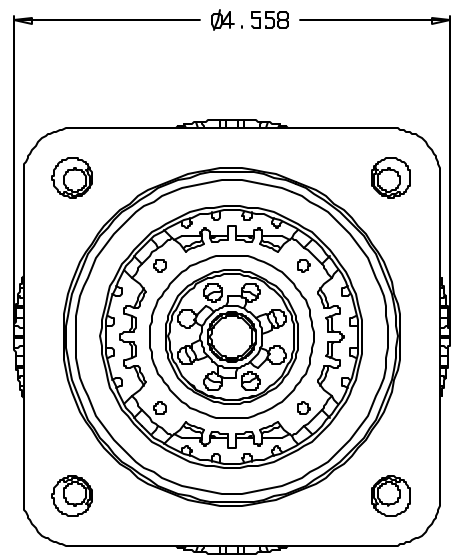
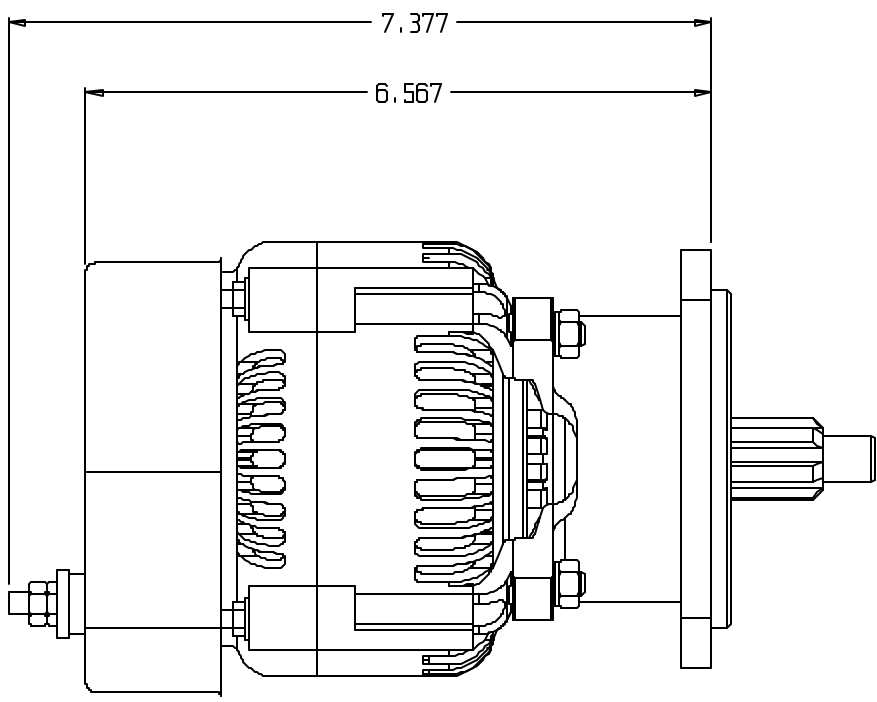


| SYMBOL | REVISION | DRAWN | APPROVD |
|--------|----------|-------|---------|
|        |          |       |         |



NOTES:

1. WEIGHT: 8.1 LBS.

| RPM   | AMPS |
|-------|------|
| 3000  | 25   |
| 4000  | 38   |
| 5000  | 46   |
| 6000  | 50   |
| 7000  | 53   |
| 8000  | 56   |
| 9000  | 59   |
| 10000 | 60   |

| ITEM   | QTY | PART NO. | DESCRIPTION   |
|--|-----|----------|---|
|  |     |          |   |
| <small>UNLESS OTHERWISE SPECIFIED<br/>DIMENSIONS ARE IN INCHES<br/>TOLERANCES ARE:<br/>DECIMALS &amp; .015 = ±0.005<br/>DECIMALS &amp; .000 = ±0.002<br/>ANGLES = ±0.5 DEGREES</small> |     |          | <i>B &amp; C Specialty Products</i><br>P.O. Box 8, Newton, Kansas 67114 |
| <small>ENGINEER TH 4/1/02<br/>DRAWN TH 4/1/02</small>  |     |          | TITLE<br><b>ALTERNATOR, 50 A<br/>M14P</b>                               |
| <small>CHECKED PROJECT</small>   |     |          | DRAWING NO. <b>BC428</b>  |
| <small>SCALE FULL JOB NO.</small>  |     |          | REVISION<br>DATE<br>PAGE 1 OF 1   |