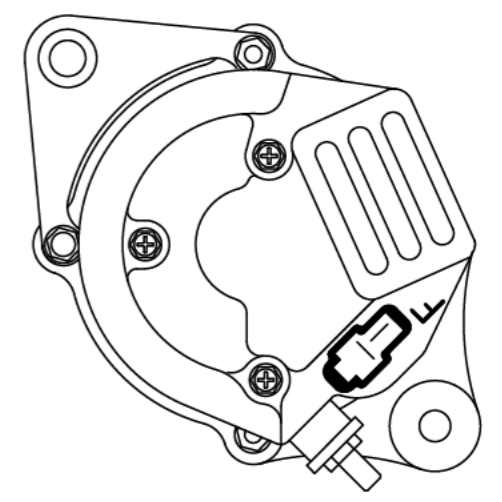
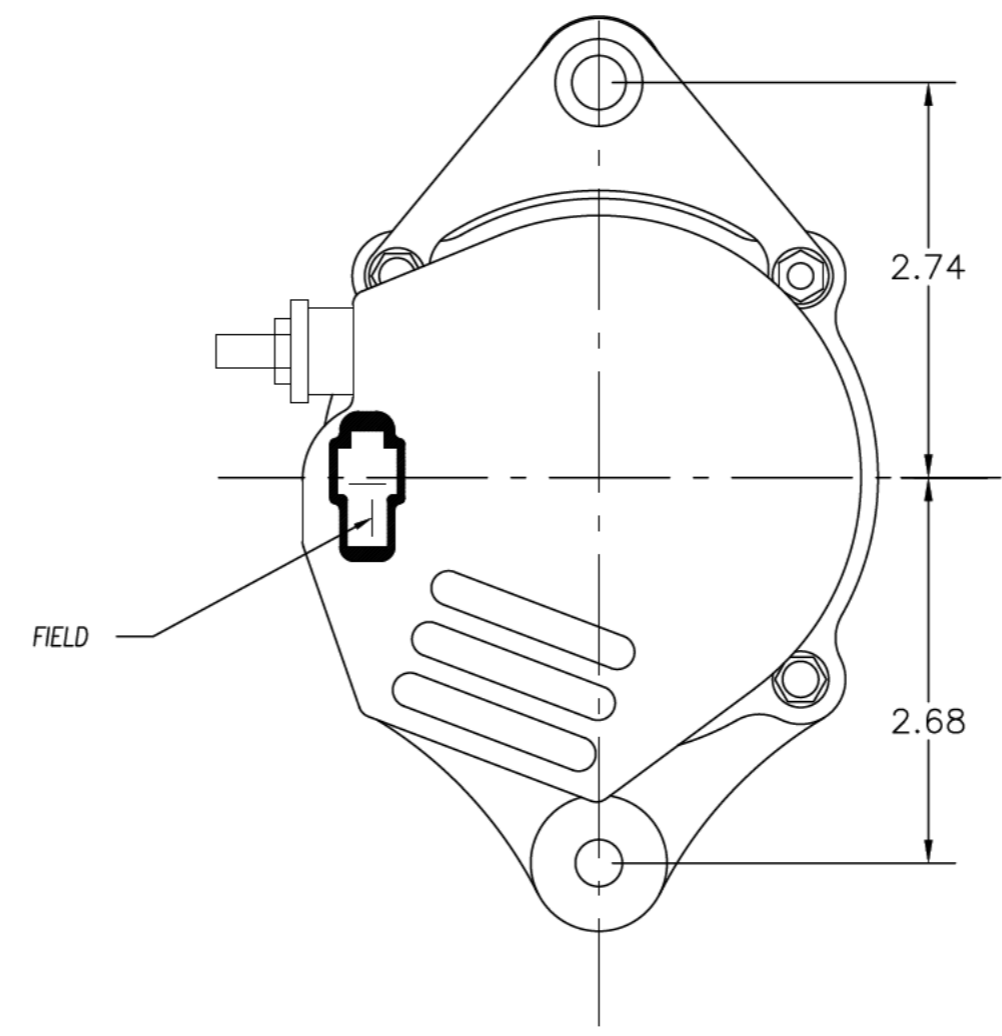
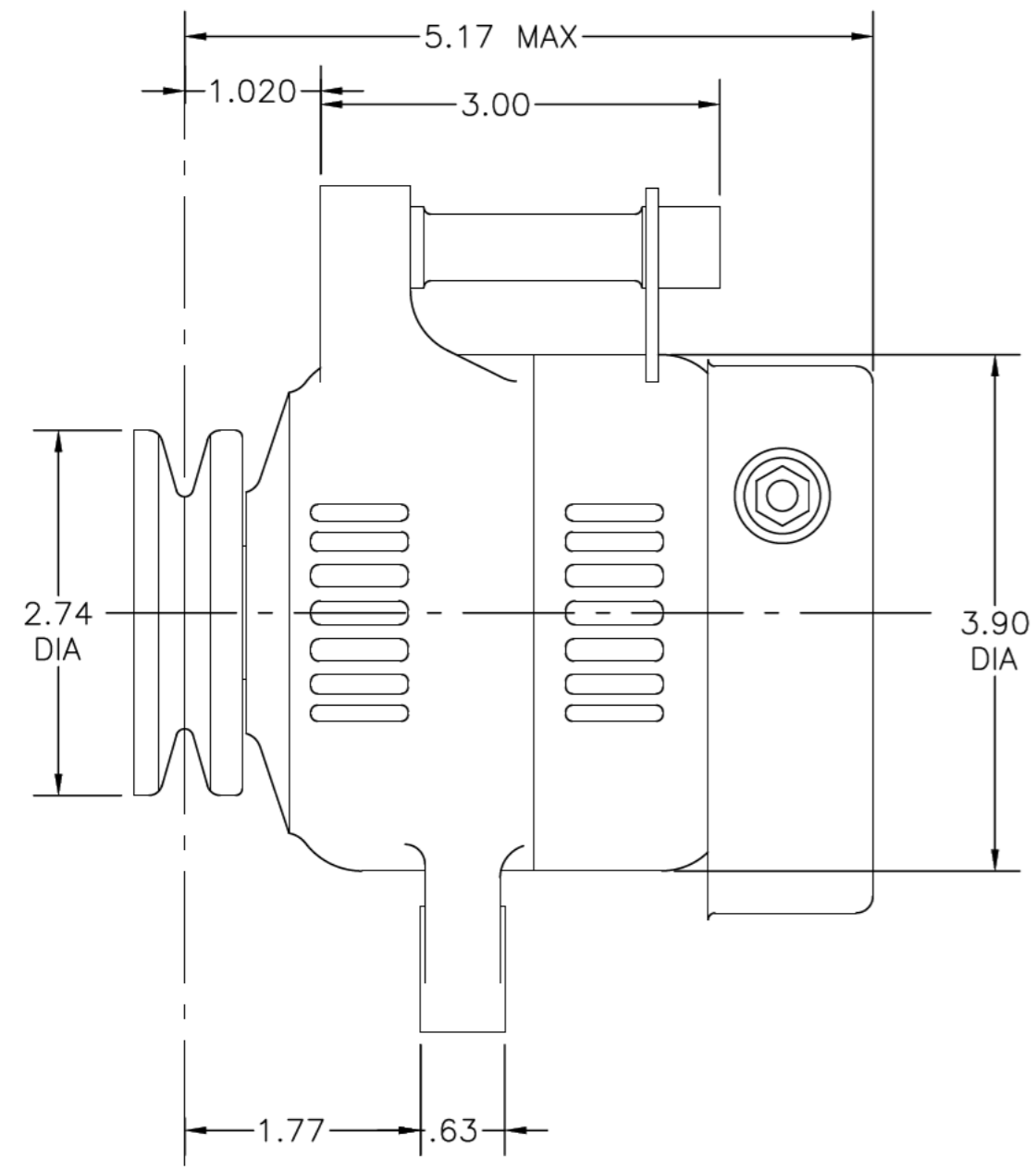
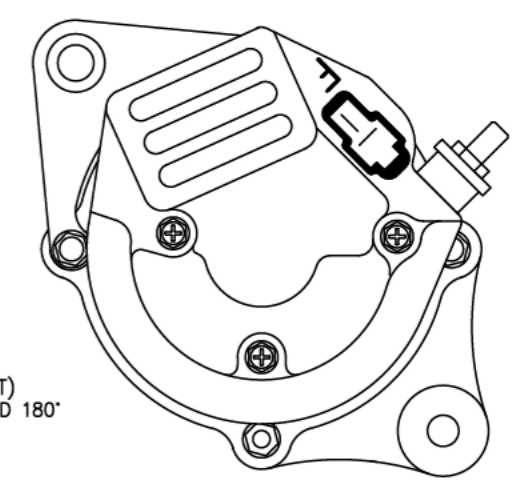


REV	DATE	DESCRIPTION
A	2/1/05	ADDED 14 VOLT OUTPUT DATA
B	5/27/05	ADDED -3 AND -4 VERSIONS
C	1/28/15	CORRECT DIMENSION .765 TO 1.020



-2 OUTPUT LEAD CONFIGURATION



REAR VIEW (-3 OR -4 PART) OUTPUT LEAD CLOCKED 180°

NOTES

1. WEIGHT: 6.1 LBS.
2. REQUIRES AN EXTERNAL REGULATOR
3. MAXIMUM STATOR TEMPERATURE TO BE 375° F ( 190° C).
4. ALL DIMENSIONS SHOWN ON THIS DRAWING ARE FOR REFERENCE ONLY

ALTERNATOR PERFORMANCE DATA

RPM	Output Amps (28V) (HOT)	Output Amps (14V) (COLD)
3000	12	30
3500	20	35
4000	26	39
4500	31	42
5000	33	44
5500	35	46
6000	38	48
7000	41	49
8000	43	50
9000	44	50
10000	45	50

1				400-100-4	ALTERNATOR ASSY, 14/28V, 40A
	1			400-100-3	ALTERNATOR ASSY, 14/28V, 40A
		1		400-100-2	ALTERNATOR ASSY, 14/28V, 40A
			1	400-100-1	ALTERNATOR ASSY, 14/28V, 40A
-4	-3	-2	-1	PART NO.	DESCRIPTION

UNLESS OTHERWISE SPECIFIED		B & C Specialty Products	
DIMENSIONS ARE IN INCHES TOLERANCES ARE: DECIMAL 0.XX = ±0.03 DECIMAL 0.XXX = ±0.010 ANGLES = ±0.5 DEGREES		P.O. Box B, Newton, Kansas 67114	
		TITLE ENVELOPE DRAWING AIRCRAFT ALTERNATOR, 14/28 VOLT, 40 AMP	
ENGINEER	TH 10/30/00	DRAWING NO.	BC400
DRAWN	TH 10/30/00	REVISION	C
CHECKED		DATE	1/28/15
PROJECT		SCALE	JOB NO.
		SHEET 1 OF 1	