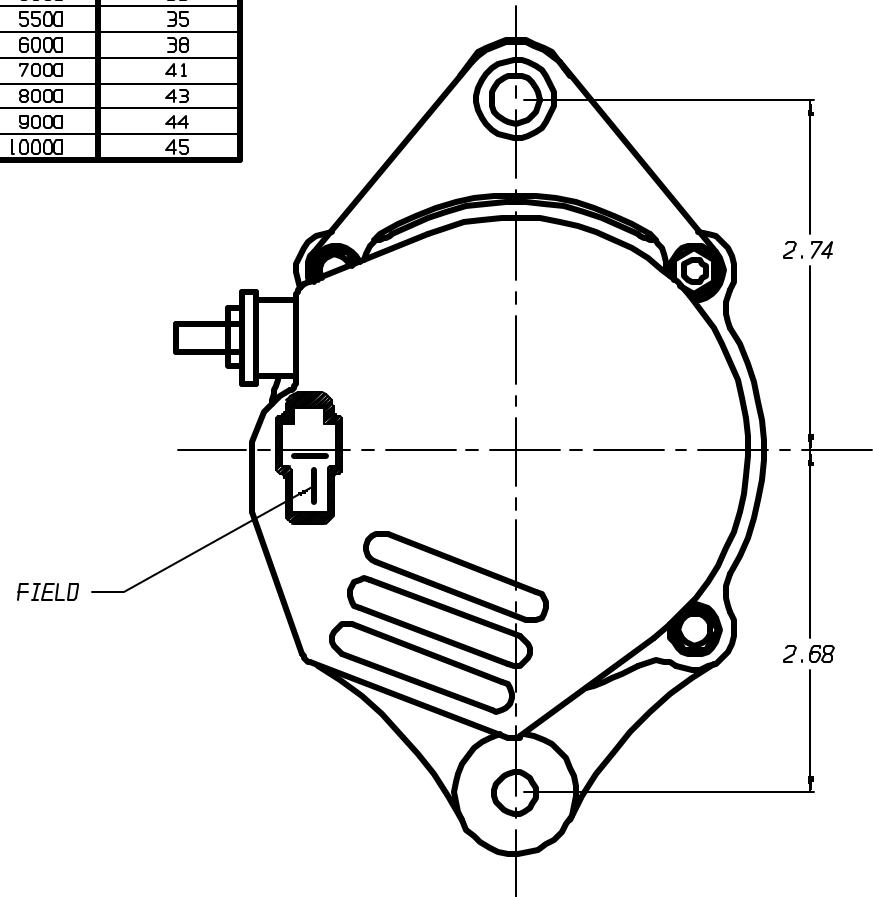


ALTERNATOR PERFORMANCE DATA

Stator temp: 140°F to 210°F

RPM	Alt. Output (amps)
3000	12
3500	20
4000	26
4500	31
5000	33
5500	35
6000	38
7000	41
8000	43
9000	44
10000	45



NOTES

1. WEIGHT: 6.1 LBS.
2. REQUIRES AN EXTERNAL REGULATOR
3. MAXIMUM STATOR TEMPERATURE TO BE 300° F (150° C).

UNLESS OTHERWISE SPECIFIED
TOLERANCES ARE:

DECIMAL .XX = 0.03
DECIMAL .XXX = 0.010
ANGLES = 0.5 DEGREES

B&C SPECIALTY PRODUCTS
123 E. 4TH, NEWTON, KS, 67114 (316) 283-8000

DRAWN BY: DLS	FILENAME: L40-OUT.PRT
SCALE:	REVISION:
DATE: 11-08-82	

L-40 ALTERNATOR