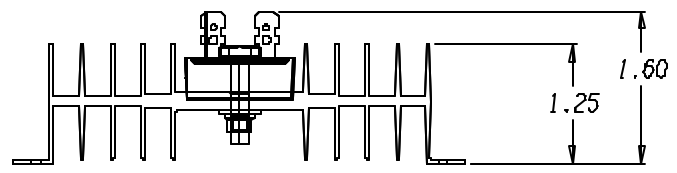
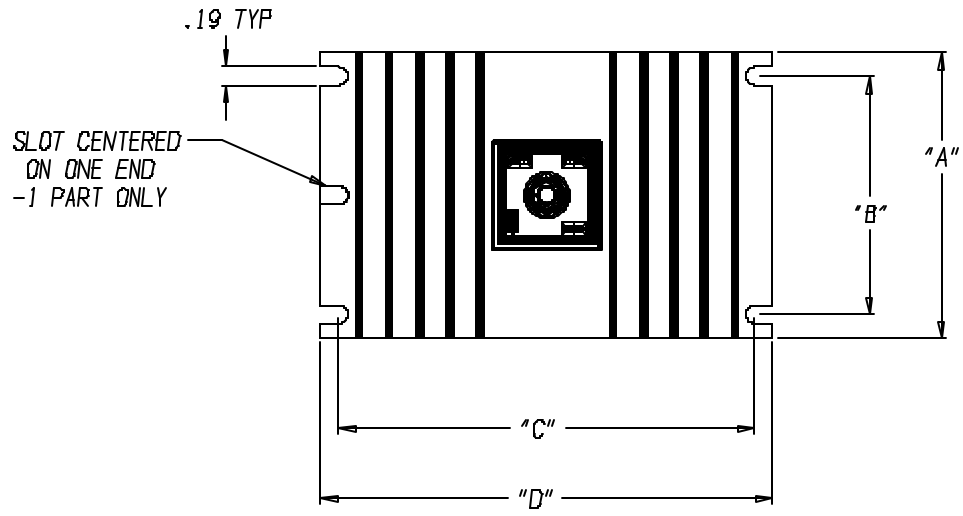


SYMBOL	REVISION	DRAWN	APPRVD



DASH NO.	DIM "A"	DIM "B"	DIM "C"	DIM "D"
-1	1.50	1.00	4.375	4.75
-2	3.00	2.50	4.375	4.75

2		1	221-201	ESS BUS DIODE ASSY, 15 WATT
1		1	221-200	ESS BUS DIODE ASSY, 8 WATT
ITEM	USED ON	-1	PART NO.	DESCRIPTION
	UNLESS OTHERWISE SPECIFIED			B & C Specialty Products P.O. Box B, Newton, Kansas 67114
DIMENSIONS ARE IN INCHES TOLERANCES ARE: DECIMAL 0.XX = ±0.03 DECIMAL 0.XXX = ±0.005 ANGLES = ±0.3 DEGREES				TITLE
ENGINEER		NAME	DATE	ASSEMBLY, ESS BUS DIODE
DRAWN		TH	4/5/05	DRAWING NO. BC221
CHECKED				REVISION
PROJECT				DATE
SCALE FULL			JOB NO.	PAGE 1 OF 1