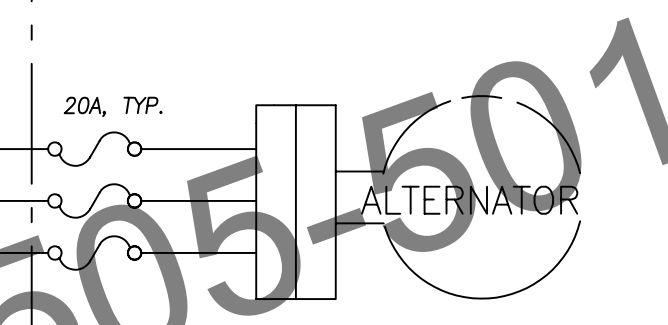
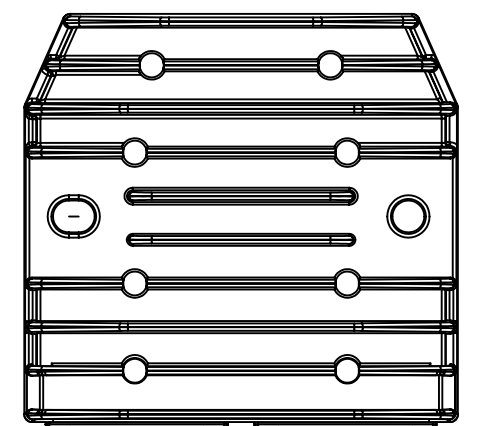
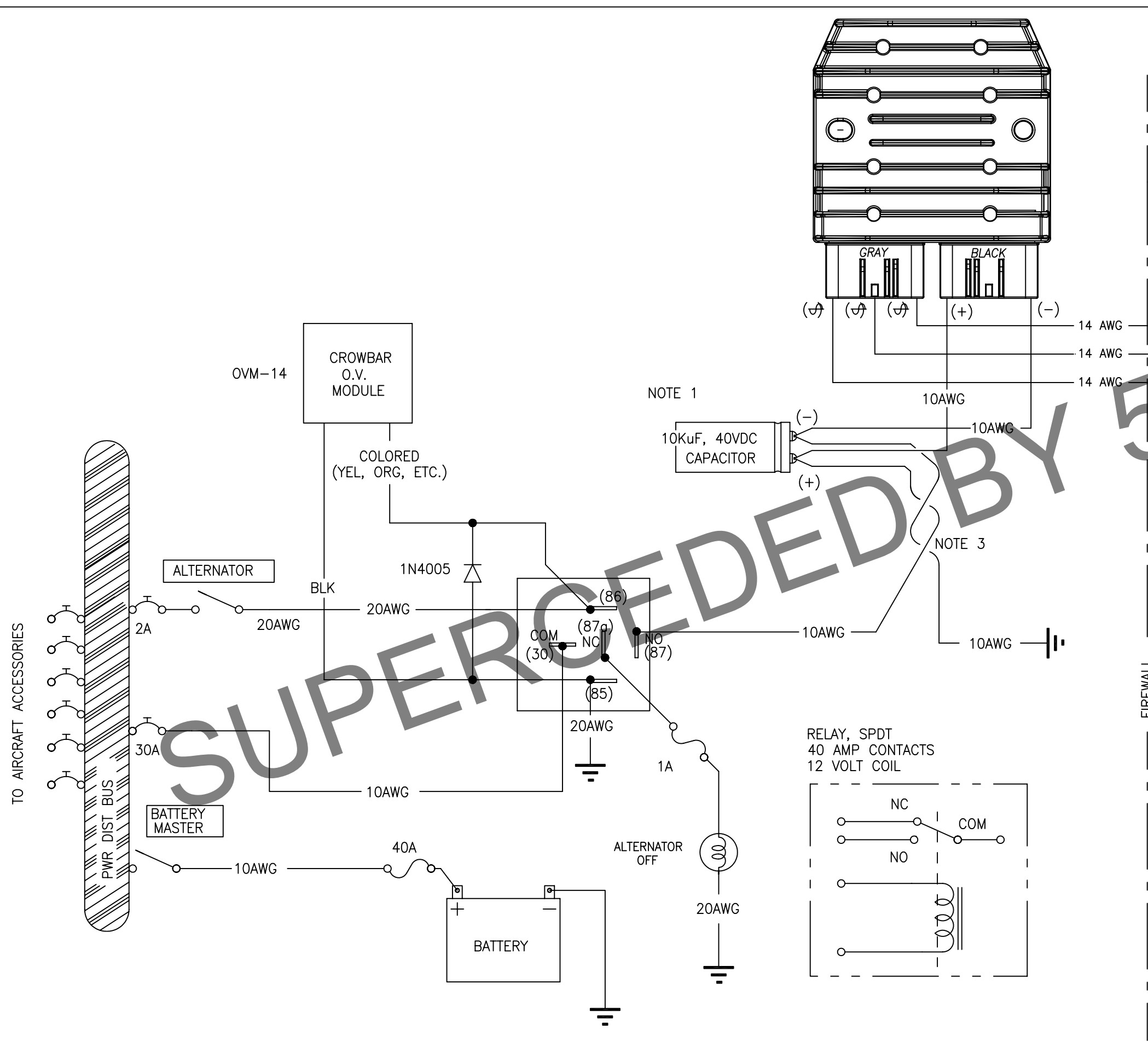


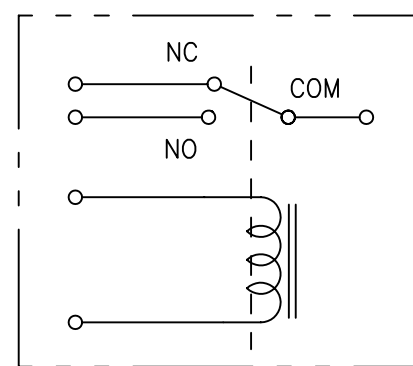
SYMBOL	REVISION	DRAWN	APPRVD
A	ADDED 1 AMP FUSE	TH	4/03
B	ADDED REGULATOR GRN WIRE	TH	2/04
C	ADDED 15 AMP FUSES	TH	9/04
D	CAPACITOR REDRAWN	TH	10/04
E	ADDED 3 PHASE FUSE RATING TO DWG FACE	TH	2/05
F	14 AWG WAS 16 AWG; 20 AMP FUSES WERE 15 AMP	TH	3/05
G	REVISED FOR PMR3A REGULATOR	TH	1/7/08
H	NOTE 3 WAS NOTE 2	TH	1/9/08
J	ADDED NOTE 5 AND CONNECTOR COLORS	TH	2/5/08



NOTE 1

NOTE 3

RELAY, SPDT  
40 AMP CONTACTS  
12 VOLT COIL



NOTES:

- REGULATOR AND CAPACITOR SHOULD BE MOUNTED IN CLOSE PROXIMITY TO ONE ANOTHER. RECOMMENDED LEAD LENGTH 6 IN. MAXIMUM
- MAXIMUM HEATSINK TEMPERATURE 221°F. RECOMMENDED COOLING AIR FLOW 7 FT./SEC.
- TWIST ALTERNATOR POWER LEADS APPROX 4 TURNS PER FOOT BETWEEN VOLTAGE REGULATOR AND GROUND CONNECTION.
- ALTERNATOR WARNING LAMP IS ILLUMINATED WHEN ALTERNATOR SWITCH IS OFF OR WHEN OV MODULE HAS TRIPPED
- USE B&C RCT-4 CRIMP TOOL FOR CONNECTOR TERMINALS. SOLDER WIRE END CRIMP.

FIREWALL

ITEM	USED ON	UNLESS OTHERWISE SPECIFIED	NAME	DATE	REVISION
			TH	12/4/02	J
DIMENSIONS ARE IN INCHES TOLERANCES ARE: DECIMAL 0.XXX = ±0.03 DECIMAL 0.XXX = ±0.005 ANGLES = ±0.5 DEGREES			B & C Specialty Products P.O. Box B, Newton, Kansas 67114		
TITLE			POWER DISTRIBUTION DIAGRAM 3 PHASE P.M. ALTERNATOR		
ENGINEER	TH	12/4/02	DRAWING NO.	505-500	
DRAWN	TH	12/4/02	DATE	2/5/08	
CHECKED			SCALE	FULL	
PROJECT			JOB NO.	PAGE 1 OF 1	