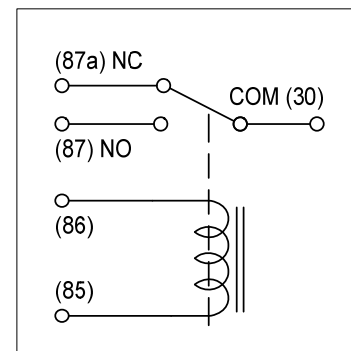


FIREWALL

NOTES:

1. REGULATOR AND CAPACITOR SHOULD BE MOUNTED IN CLOSE PROXIMITY TO ONE ANOTHER. RECOMMENDED LEAD LENGTH 6 IN. MAXIMUM.
2. MAXIMUM HEATSINK TEMPERATURE 221 F. RECOMMENDED COOLING AIR FLOW 7 FT./SEC.
3. OPTIONAL ALTERNATOR WARNING LAMP IS ILLUMINATED WHEN ALTERNATOR SWITCH IS OFF OR WHEN OV MODULE HAS TRIPPED.
4. USE B&C RCT-4 CRIMP TOOL FOR CONNECTOR TERMINALS.



RELAY DIAGRAM
SPDT
40 AMP CONTACTS
12 VOLT COIL

		B&C SPECIALTY PRODUCTS 123 E 4th St, Newton, Kansas 67114	
DRAWN BY D. SWARTZENDRUBER		DATE 8/19/2021	
CHECKED BY N. BAINBRIDGE		DATE 8/19/2021	
APPROVED BY N. BAINBRIDGE		DATE 8/19/2021	
DRAWING TITLE POWER DISTRIBUTION DIAGRAM 3 PHASE P.M. ALTERNATOR		SIZE B	DRAWING NUMBER 505-501
SCALE: N/A		STATE: RELEASED	REV -
SHEET 1		OF 1	

This drawing is the property of B&C Specialty Products. Neither this drawing nor any information contained herein may be copied, distributed or reproduced without express written consent from B&C Specialty Products.